

TRANSPAFORZA®
Canopies

TF - P2 Carport Assembly

Please Read Before Installation



semcom
Designer - Developer - Producer

www.tfsem.com

IMPORTANT

Please read these instructions carefully before you start to assemble this carport.
Please carry out the steps in the order set out in these instructions.
Keep these instructions in a safe place for future reference.

Care and Safety advice

- * Please follow the instructions as listed in this manual.
- * Sort the parts and check against the list of contents.
- * For safety purposes we strongly recommend that the product will be assembled by at least two people
- * Some parts have metal edges. Please be careful when handling components.
- * Always wear gloves, shoes and safety goggles during assembly.
- * Do not attempt to assemble the carport in windy or wet conditions.
- * Dispose of all plastic bags safely - keep them out of reach of small children.
- * Keep children away from the assembly area.
- * Do not attempt to assemble the carport if you are tired,
- * When using a stepladder or power tools, ensure that you follow the manufacturer's safety advice.
- * Do not climb or stand on the roof.
- * Heavy articles should not be leaned against the poles.
- * Please consult your local authorities if any permits are required to erect carport.
- * Keep roof and gutters clean of snow, dirt & leaves.
- * Heavy amounts of snow on roof can damage the carport making it unsafe to stand below or nearby.
- * This product was designed and produced to be a carport only.

MAINTENANCE NOTES

1. In case of a defective or damaged part, or for any other questions concerning the product, please contact the manufacturer directly.
2. Please have the parts list and part numbers on hand when ordering or requesting replacement parts.
3. When cleaning, use mild soap or detergent, warm water, and a washcloth or sponge.
4. While the product is designed for 4 seasons use, it is strongly recommended to clear snow from the roof on a regular basis.

LIMITATIONS ON THE WARRANTY

1. The product is not warranted against damages due to vandalism, abuse, or falling or thrown objects.
2. The product is not warranted against damages due to extreme weather conditions, such as thunderstorms, hail, strong wind or snow storms, or any other acts of God.
3. The product is only warranted in the event it is installed in accordance with the Transpa Forza written instructions enclosed with the product.
4. The product is not warranted in the event it has been improperly anchored.

PREPARATION OF GROUND

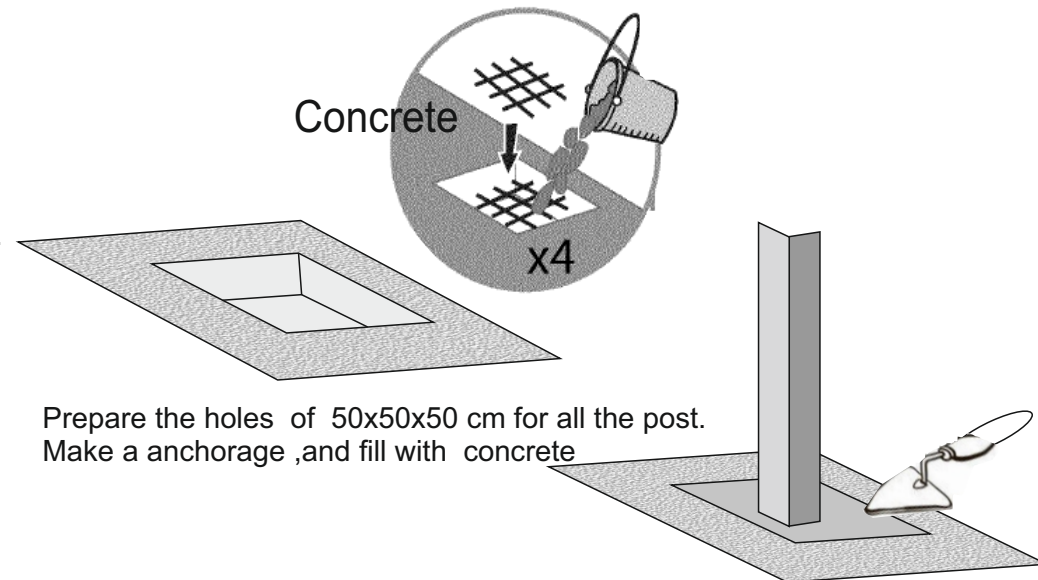
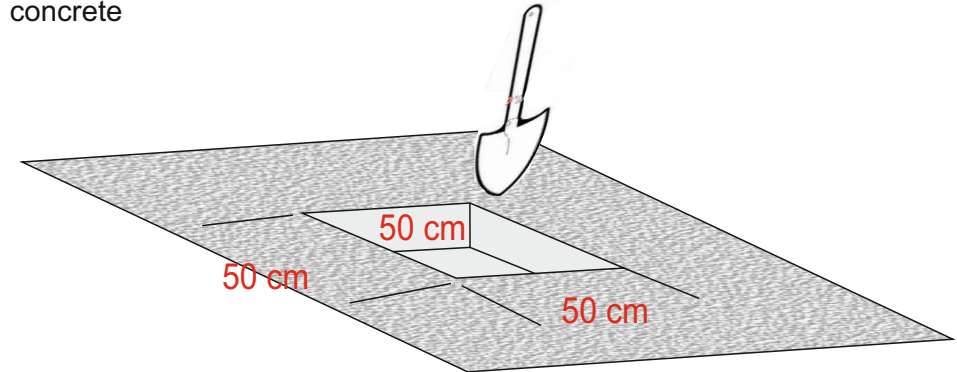


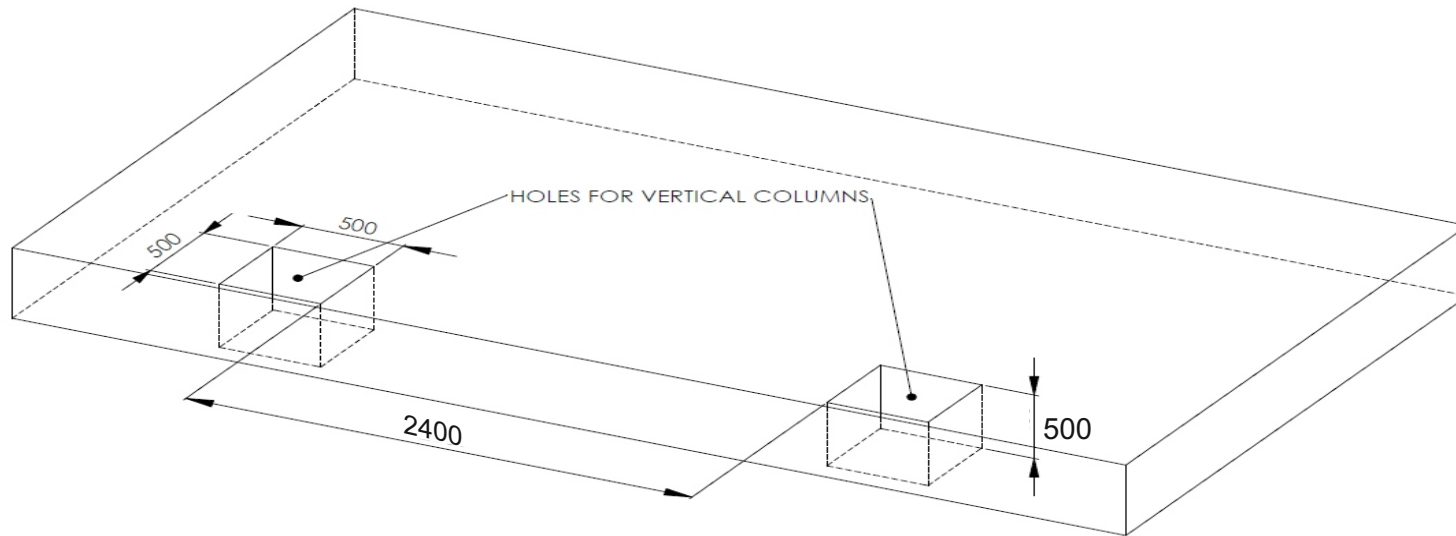
Before Starting Assembly

This carport must be assembled on a solid base,

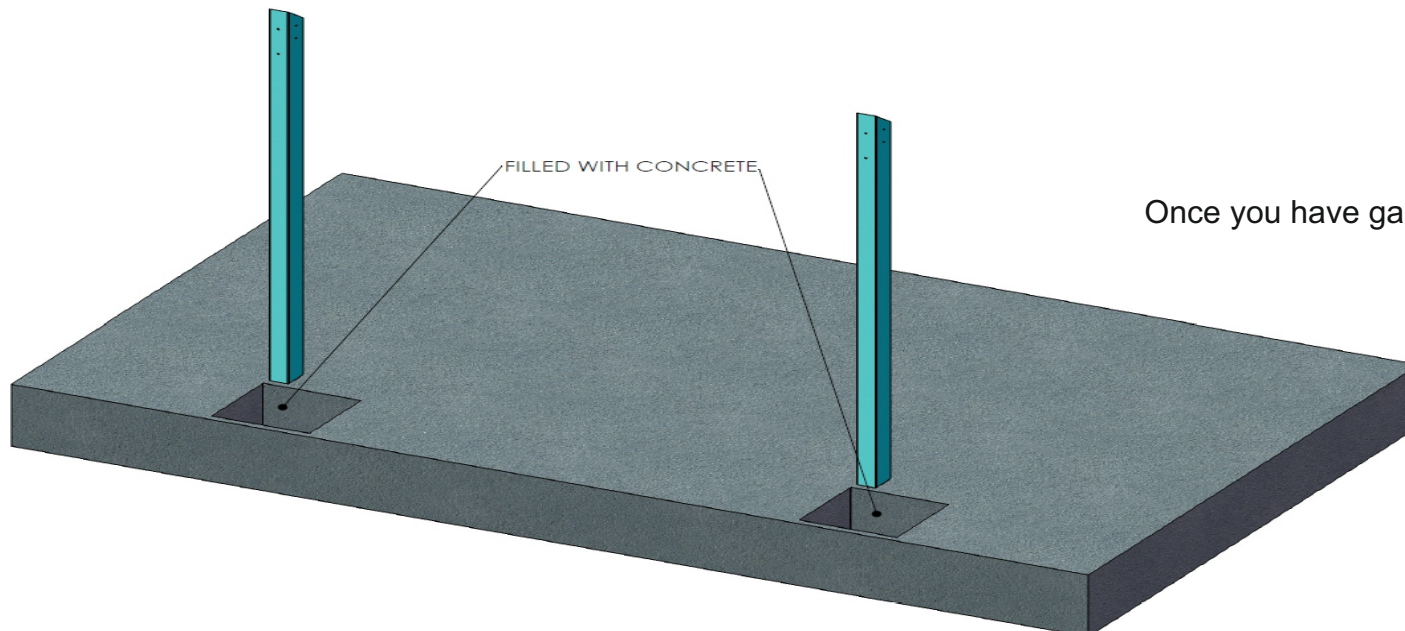
Choose your site carefully before beginning assembly. Site surface (mainly below poles) needs to be level.

The carrier profiles must be buried in pits, anchored and should be filled with concrete



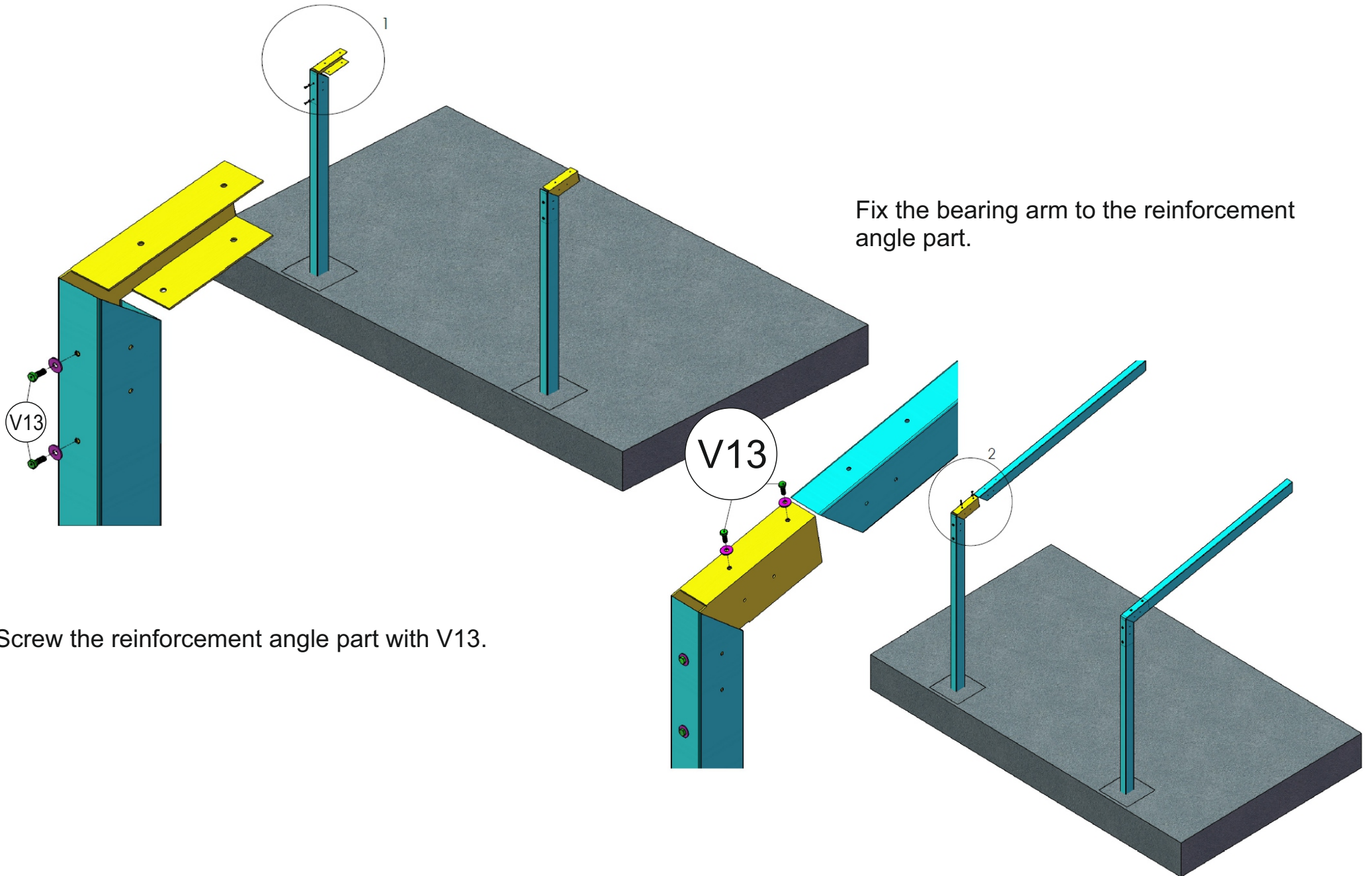


Prepare the fixing hole to the ground 50x50x50 cm

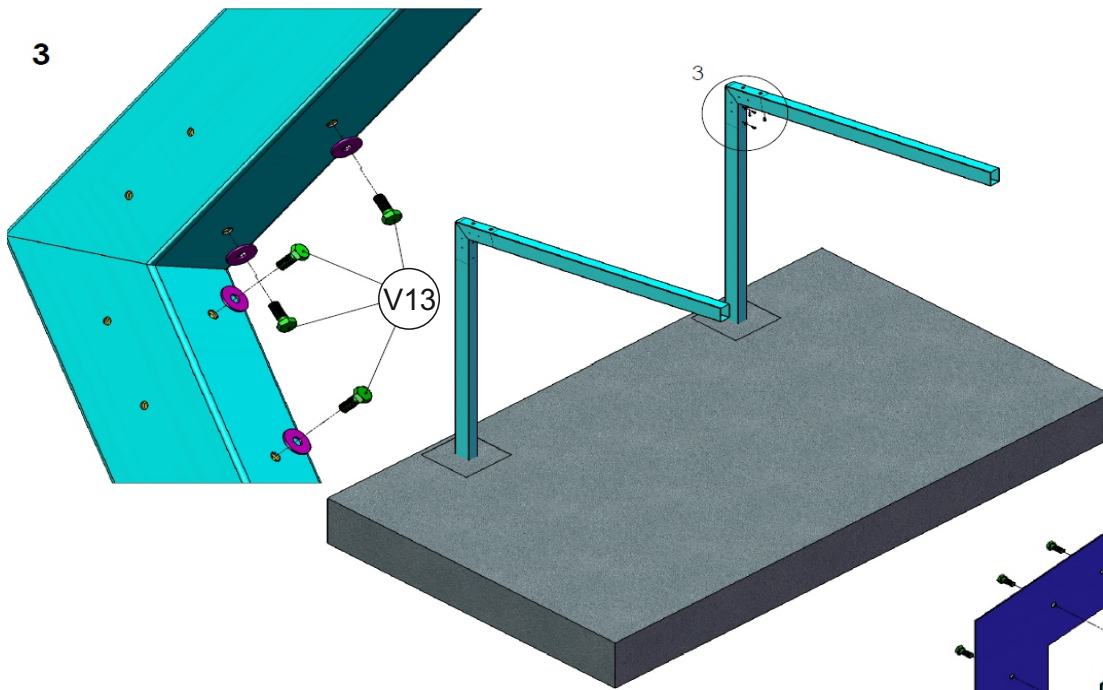


Once you have gauged fill with concrete the holes

2 - Installation of bearing arms

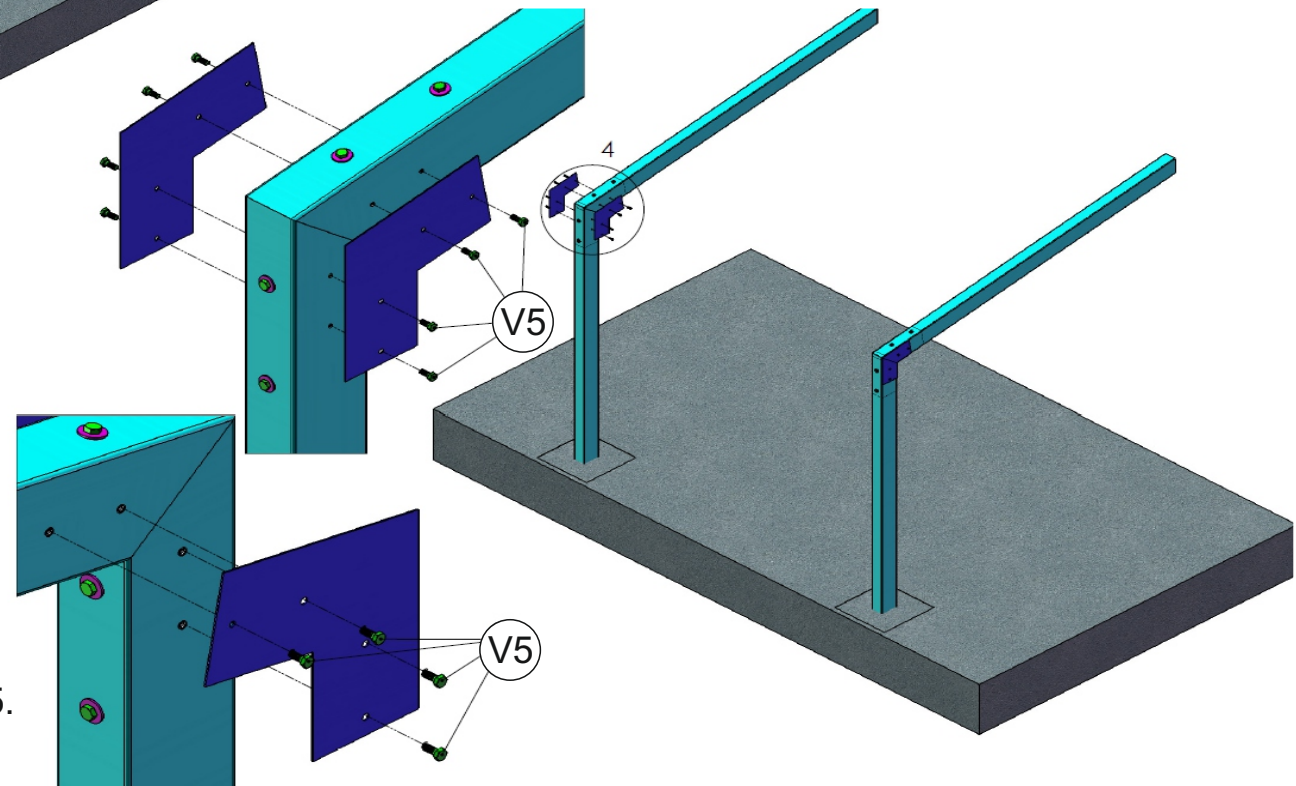


3 Screwing the carrier arms



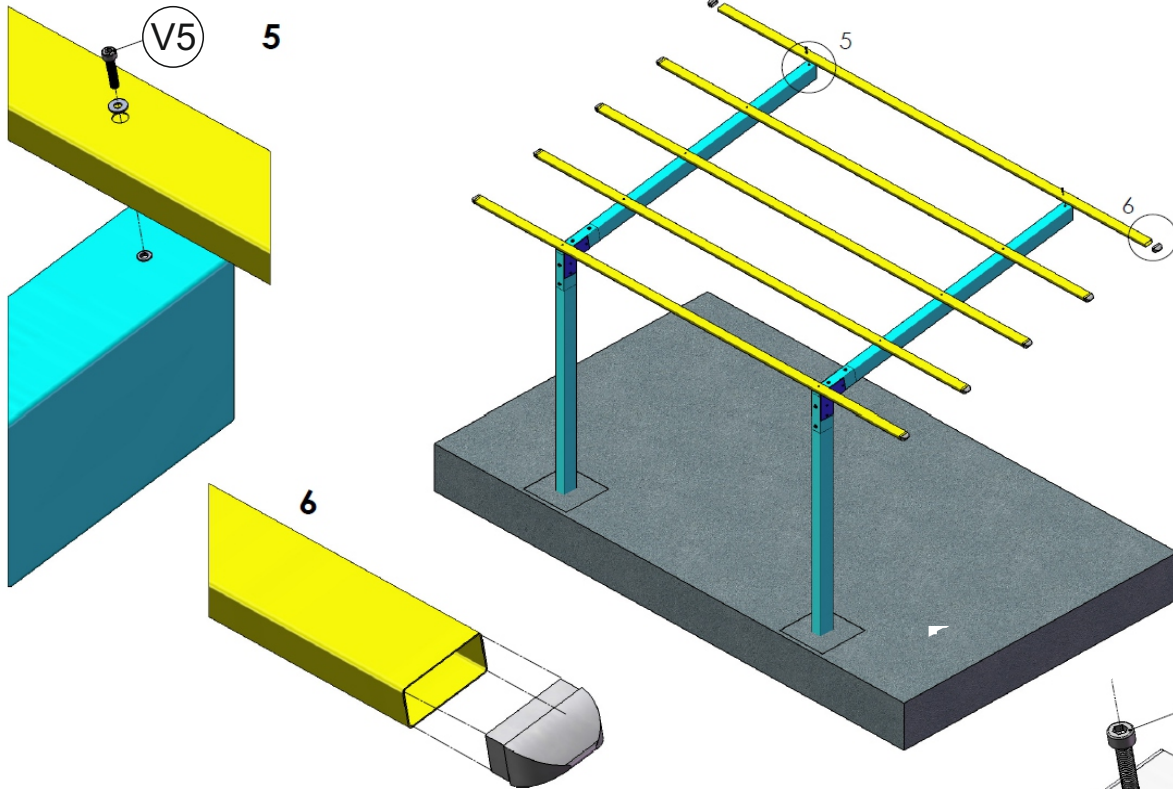
Screw the reinforcement angle part with V13.

4 Carriers cover installation

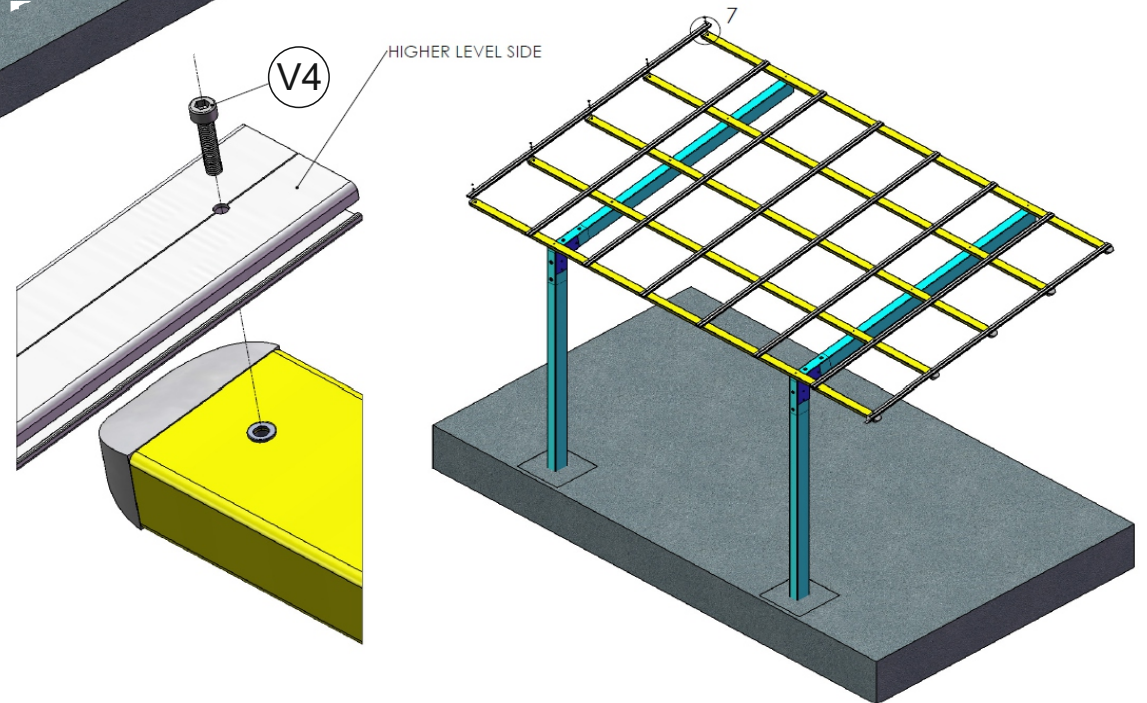


Screw the reinforcement angle part with V5.

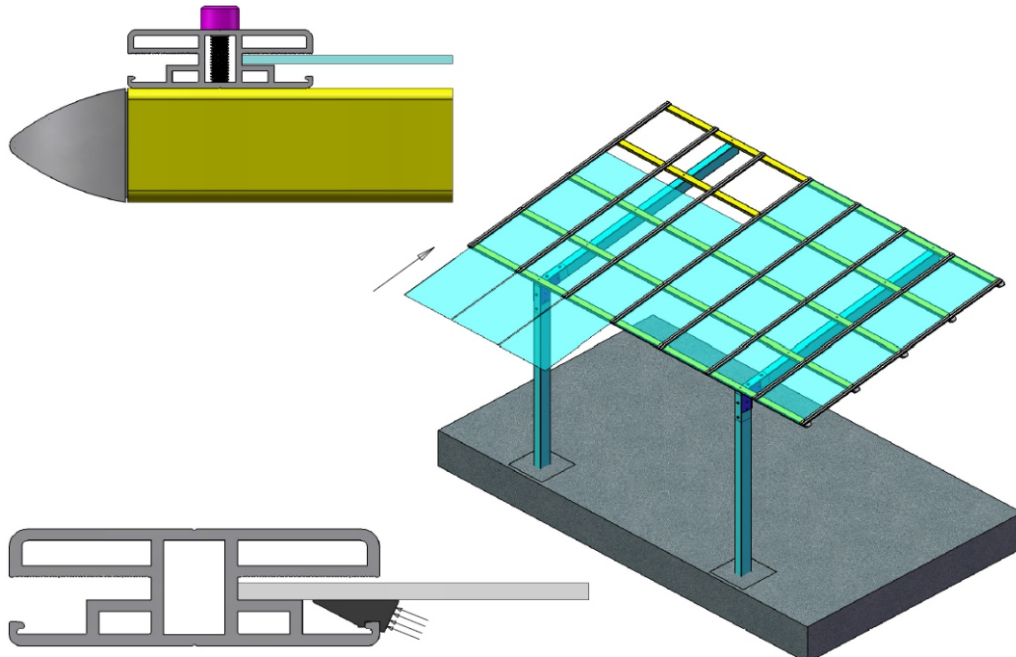
Installation of the roof support profiles



6 Installation of the roof carrier profiles



7 - Assembly of roof sheets

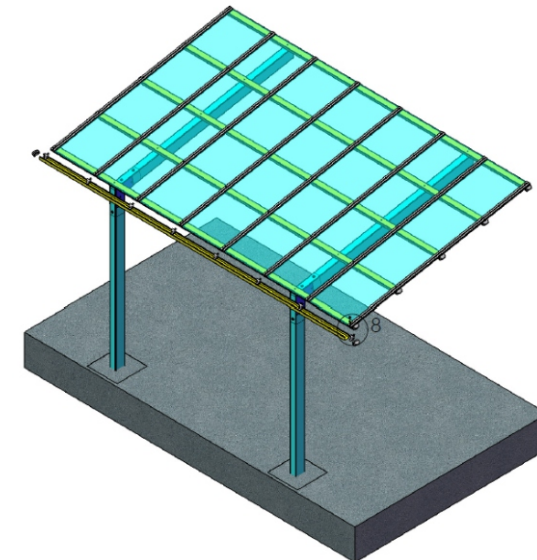
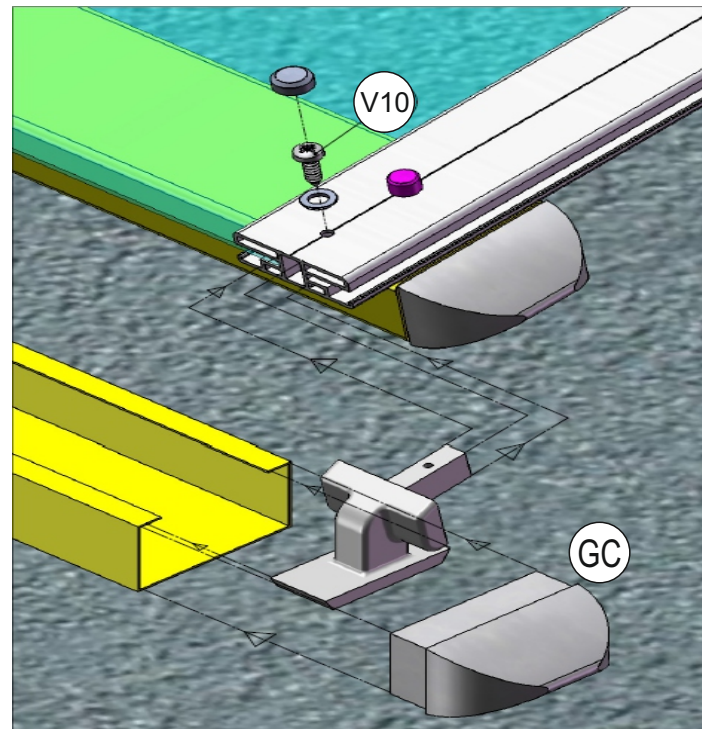


TRANSPAFORZA®

8 - Installation of Rain Gutter

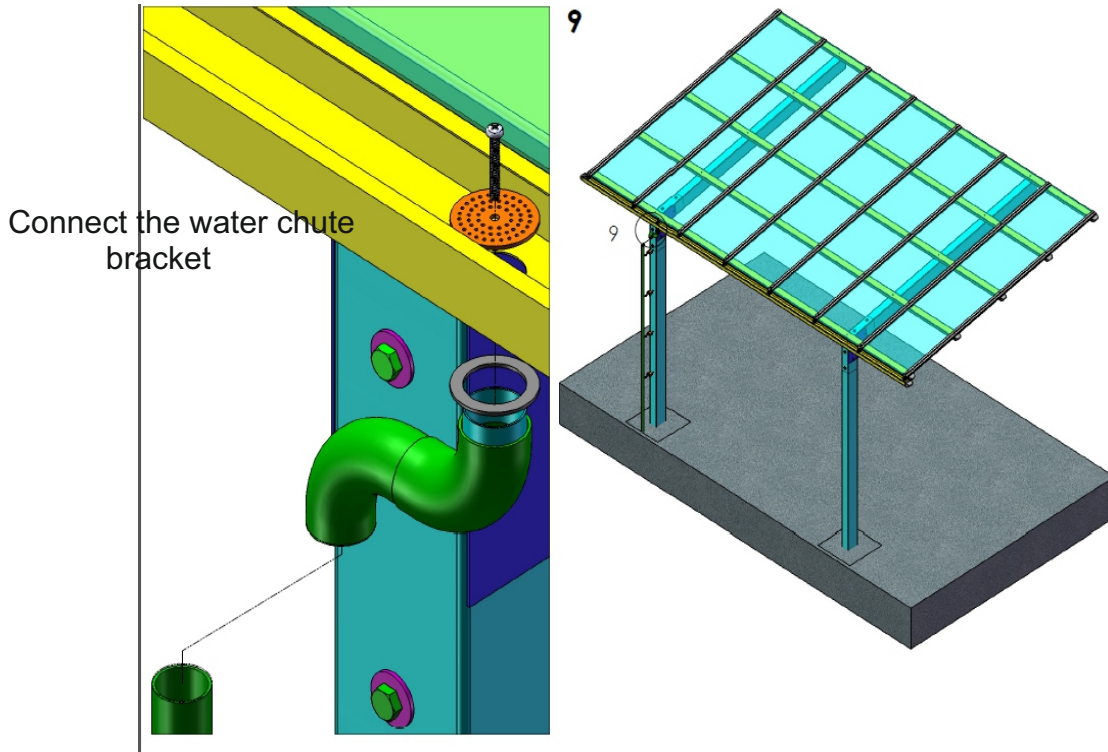
Place and slide the roof sheets,
Compress the rubber seal and stabilize
the roof sheets from under side.

Drive the rain gutter profile to the gutter support
After the installations of rain gutter, silicone the end
cap of gutter (GC)

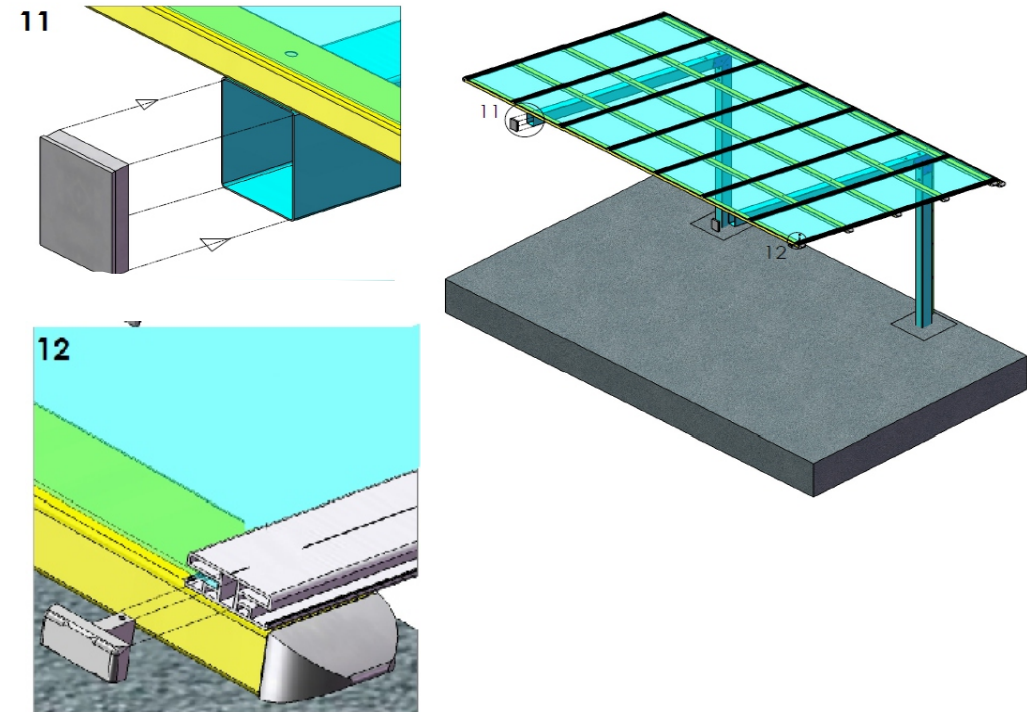
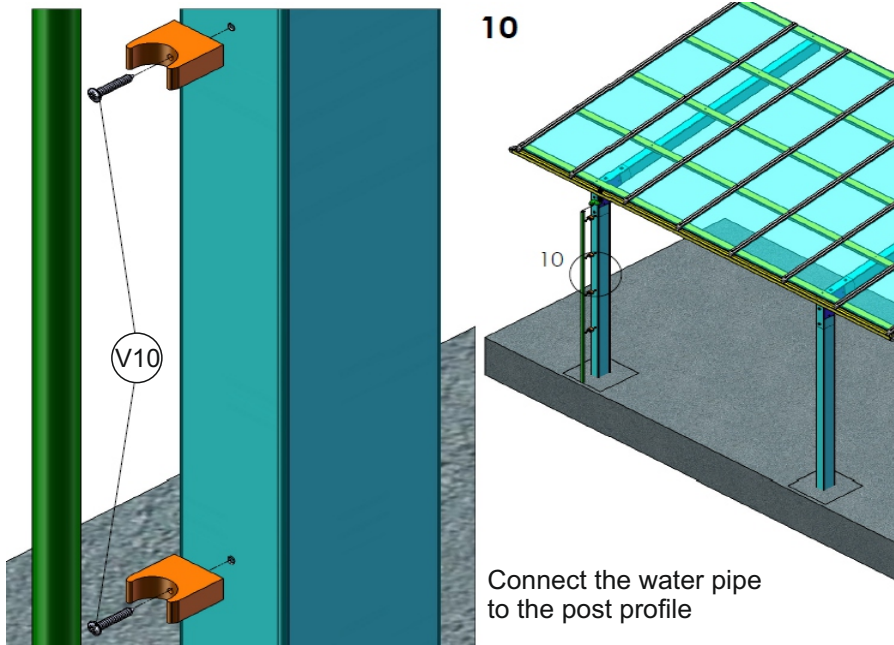


9- Water chute connection

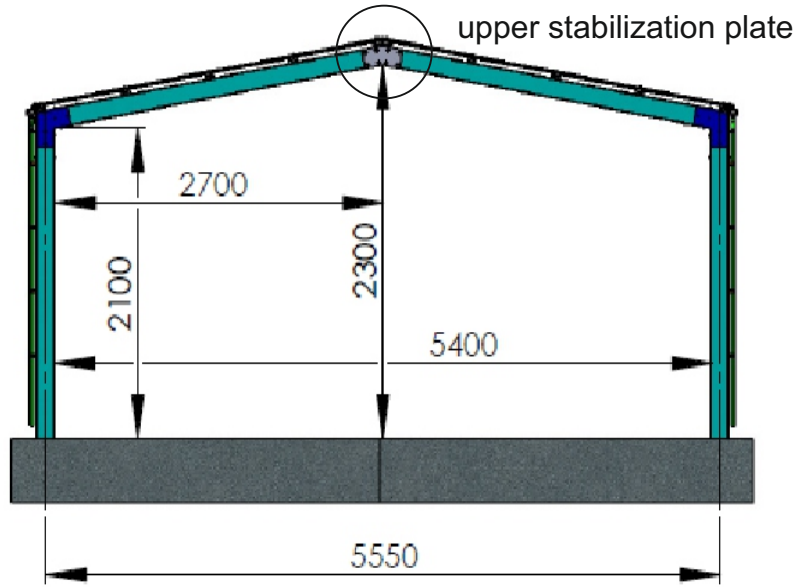
TRANSPAFORZA®



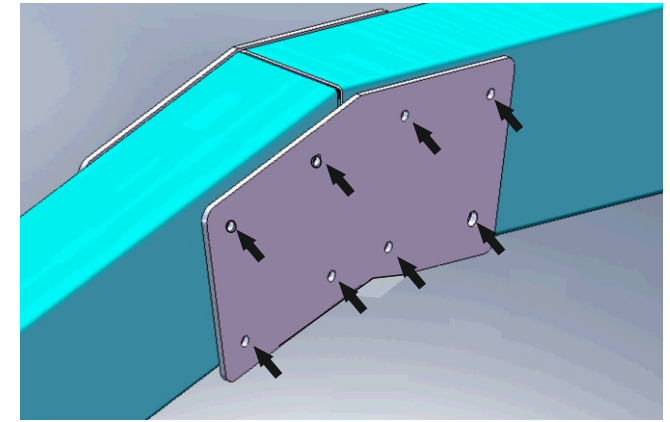
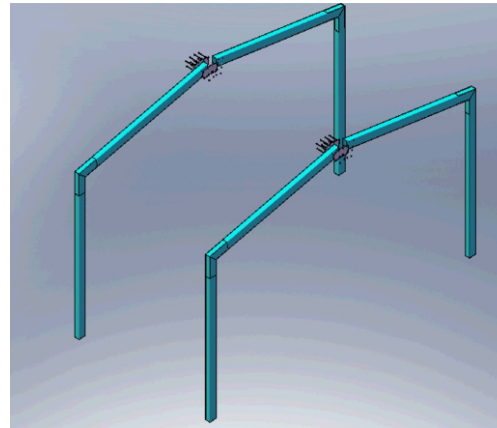
10 - Installations of end cup covers



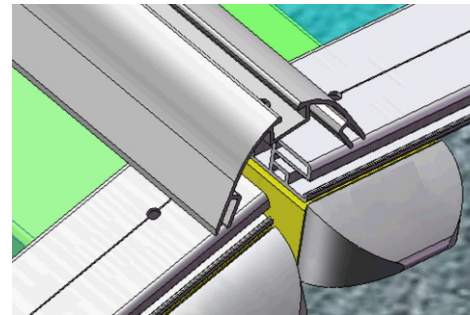
CONNECTION OF M JOINT



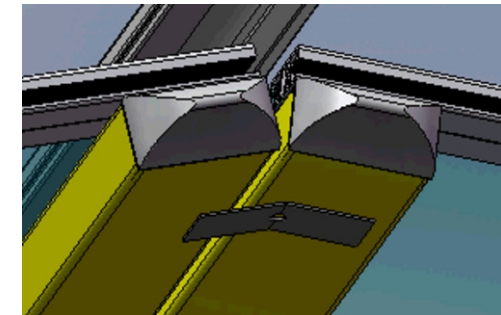
M Joint is formed by two single combinations



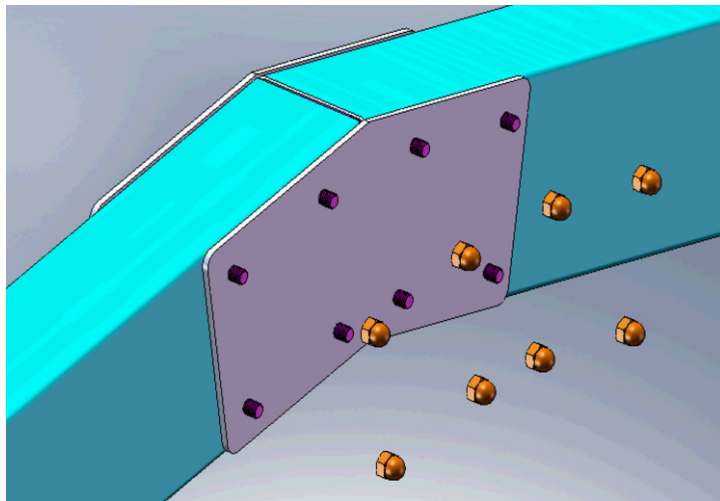
After the correct installation of carports, place the upper stabilization plate and drill with a drill bit of 9 mm from both side.



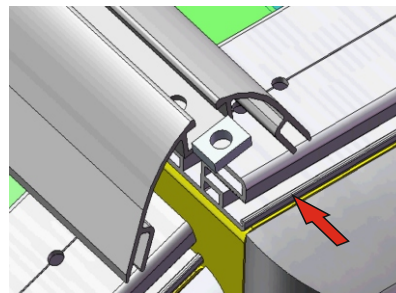
Place the rain cover profile between the carports



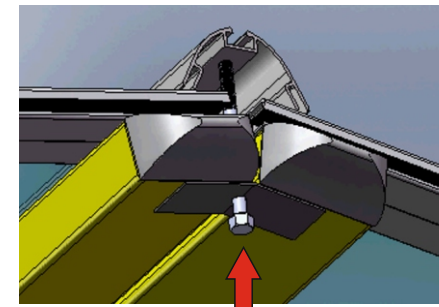
Place the rain cover profile holder between the profiles from bottom side



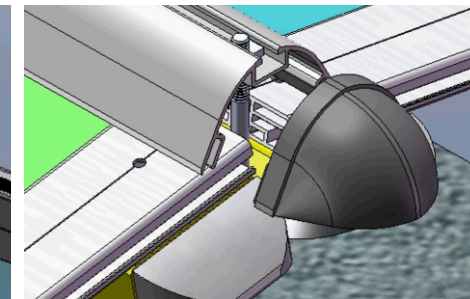
Place the screws to the holes and tighten the nut from both side



Slide the nut on the gap to profile

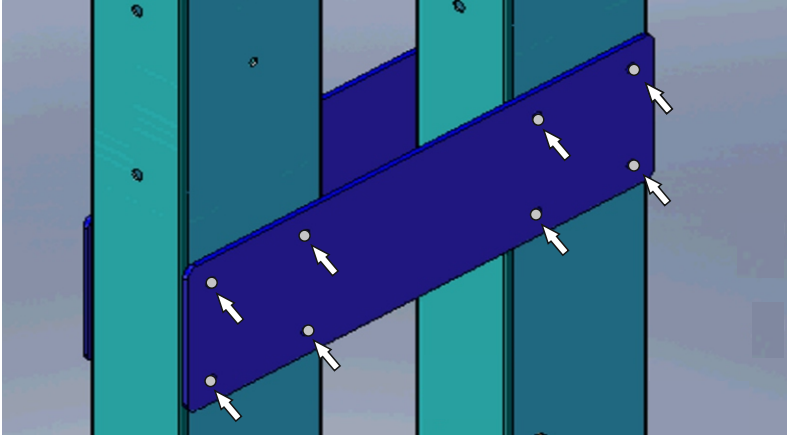
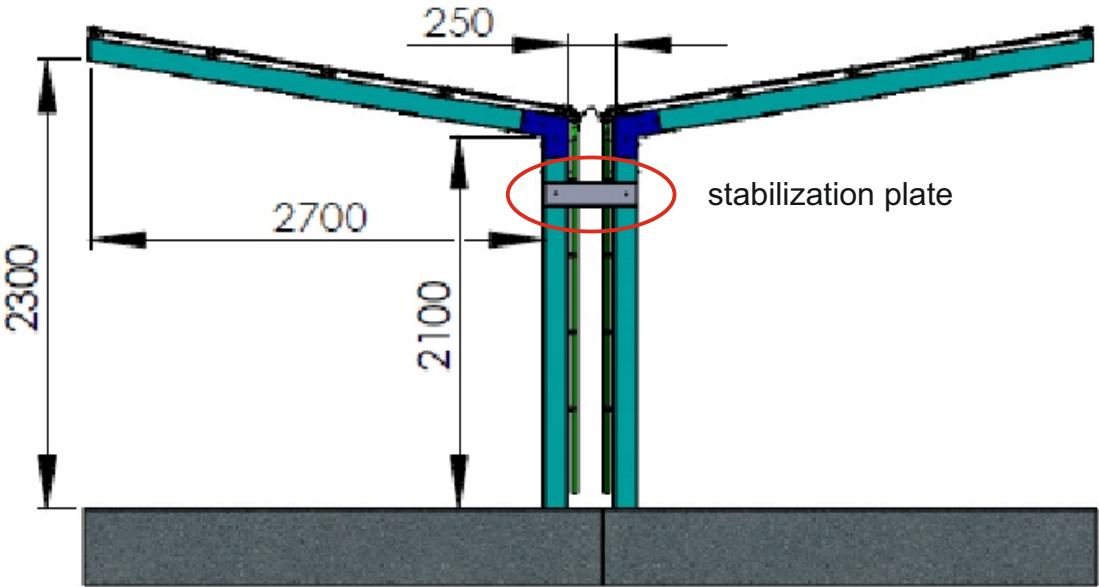


Place the screw and tighten

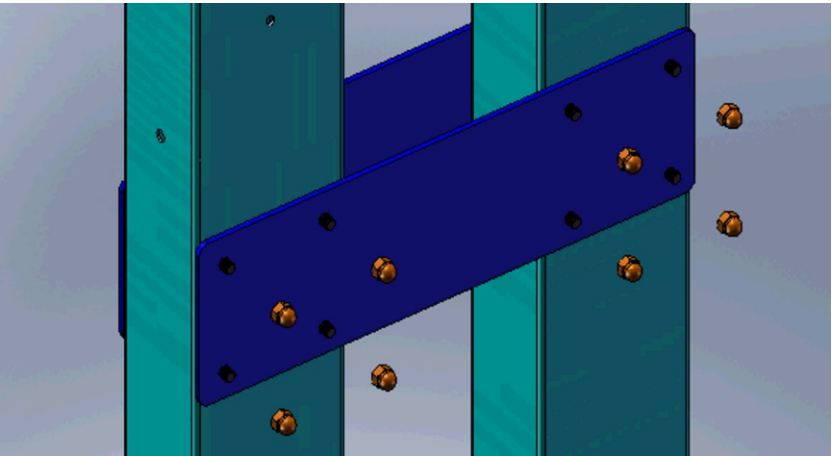


Close the edge of profile with the plastic cup

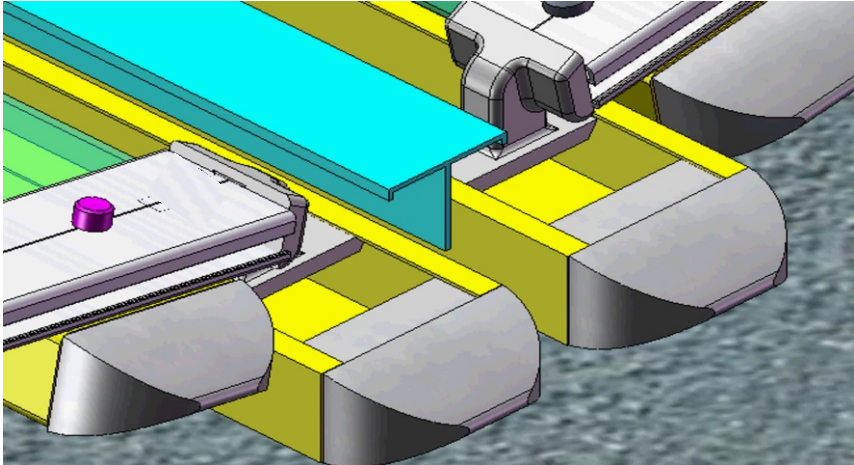
CONNECTION OF Y JOINT



After the correct installation of carports, place the side stabilization plate and drill with a drill bit of 9 mm from both side.



Place the screws to the holes and tighten the nut form both side



Place the T profile between the rain gutter